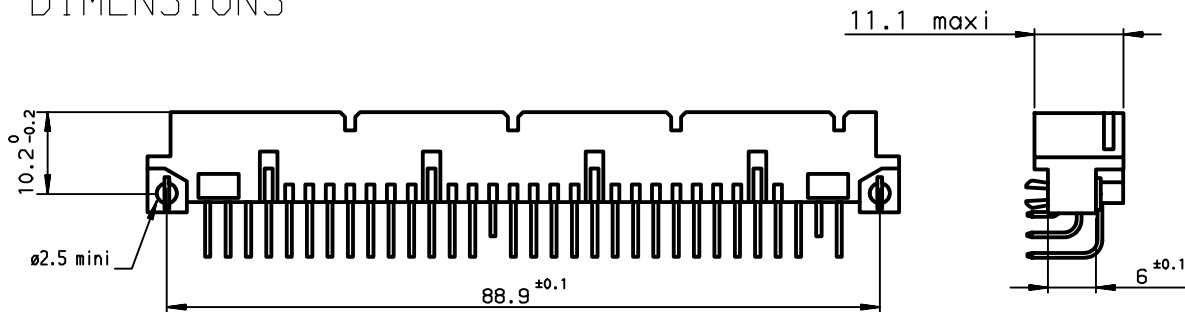


DIMENSIONS



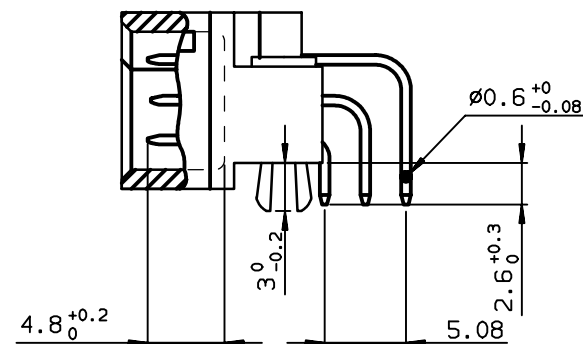
TIN LEAD PART NUMBER

PART NUMBER  
86093947113H40264E1

LEAD FREE PART NUMBER

PART NUMBER  
86093947113H40AOLF

TERMINATION



SPECIFICATION 264 = no contact in position : C15-C31  
or SPECIFICATION A0=

GENERAL CHARACTERISTICS AND ROHS INFORMATIONS:

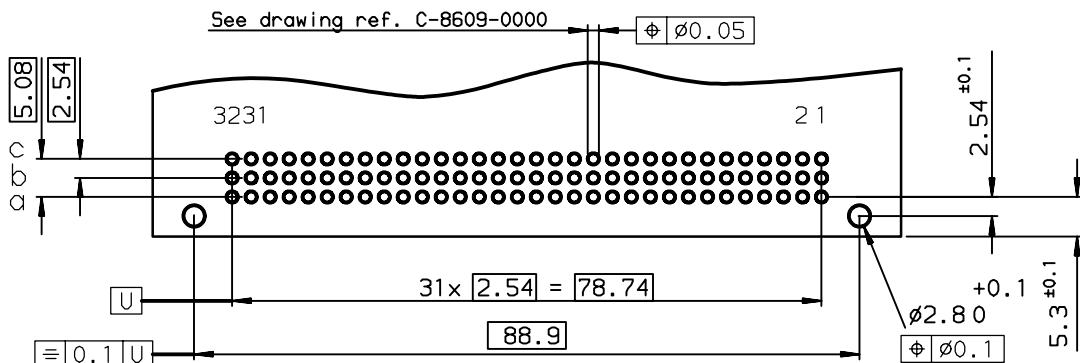
SEE DRAWING C-8609-0000A

European Views

www.fciconnect.com		surface ISO 1302 ✓	tolerance std ISO 406 ISO 1101	projection mm	size A3	Scale 1.5
TOLERANCES UNLESS OTHERWISE SPECIFIED						
Dr	ROUILLARD	2001/01/31	ANGULAR	0.X	±0.1	ECN L506-0095
Eng	TARON	2001/01/31	LINEAR	0.XX	±0.1	Spec ref -
Chr	LEGARE	2001/01/31	0.XX' ±2"	0.XXX	±0.1	
Appr	LEGARE	2001/01/31	Product family	DIN 8609		
FCI		title STANDARD MALE 3 ROW			dwg no C-8609-0880	Rev. C
		catalog no			CUSTOMER	sheet 1 of 1

P.C. CARD DRILLING (Component side view)

See drawing ref. C-8609-0000



rev	ecn no	dr	date
A	-	-	2001/01/31
B	L505-001	JTA	2005/03/03
C	L506-0095	LGO	2006/06/26
-	-	-	-
-	-	-	-
-	-	-	-